




HUPER GPX4 PRO

 Date / /
 Driver
 Track

Engine	Gasket	mm	Plug	Muffler	Fuel
Diff Type	Front: <input type="checkbox"/> One Way <input type="checkbox"/> Gear Diff		Oil #	Rear: <input type="checkbox"/>	<input type="checkbox"/> Gear Diff Oil #
Gear	1st/2nd Pinion Gear: T / T		1st/2nd Spur Gear: T / T		Middle Pulley: <input type="checkbox"/> 24T <input type="checkbox"/> T
Clutch	Shoes:	Spring:	Clearance: mm	Adj.Nut: mm	Body

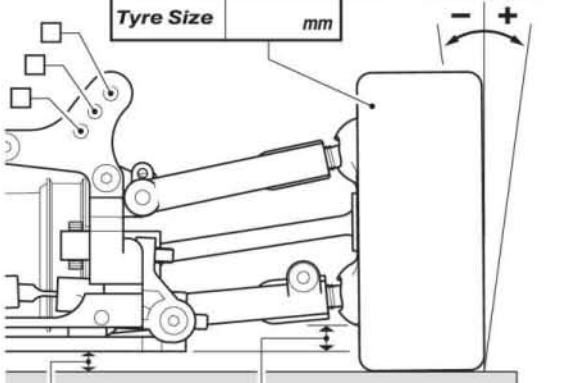
Front Suspension

Tyre Type

Tyre Size mm

Camber deg.

- +



Ride Height mm

Rebound Stop mm

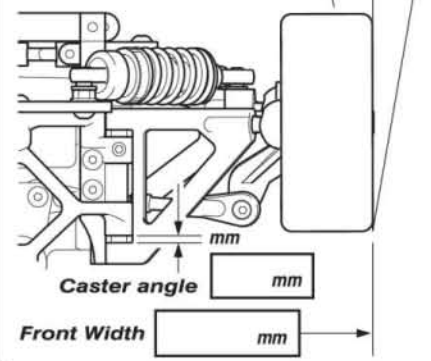
Bump Stop mm

Front Toe angle deg.

- +

Caster angle mm

Front Width mm



Anti-roll bar

90°
45°
0°

90°
45°
0°

90°
45°
0°

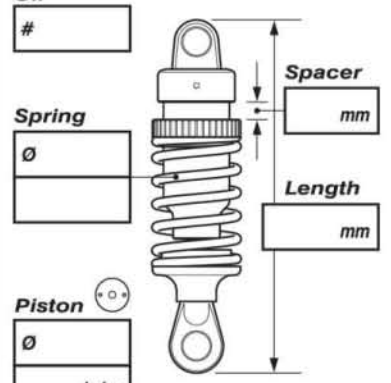
Front Shock

Oil #

Spring mm

Ø

Piston holes



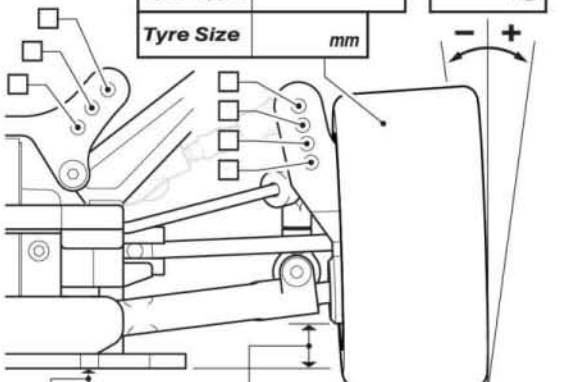
Rear Suspension

Tyre Type

Tyre Size mm

Camber deg.

- +



Ride Height mm

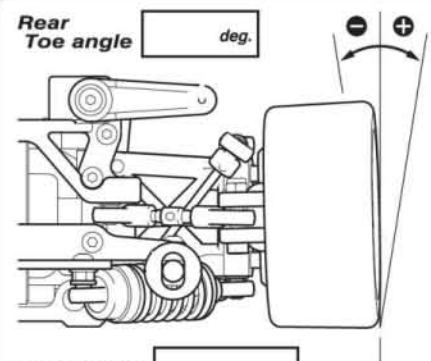
Rebound Stop mm

Bump Stop mm

Rear Toe angle deg.

- +

Rear Width mm



Anti-roll bar

mm

2.3 mm

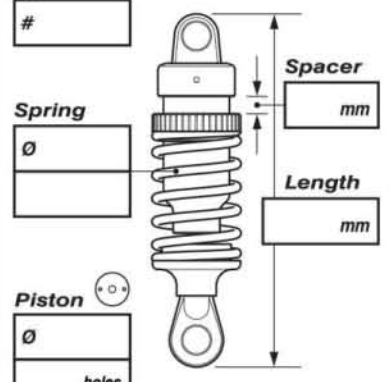
Rear Shock

Oil #

Spring mm

Ø

Piston holes



Notes

Resul	Position	Laps	Time	Fastest Lap
Run				lap
Qualifier				lap
				lap
				lap
Main #				lap